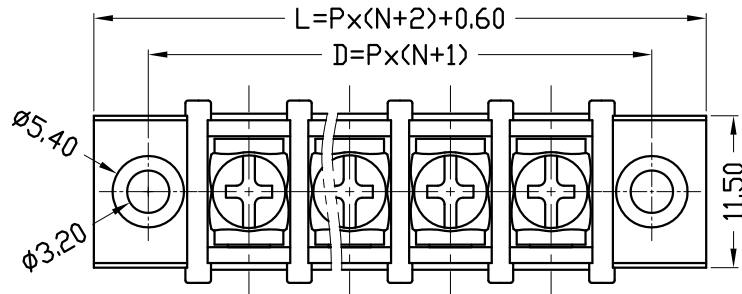
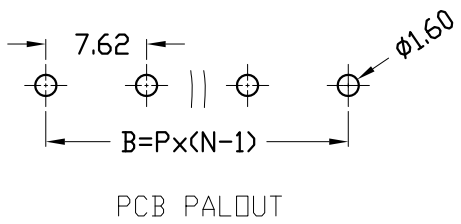
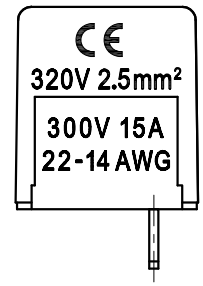
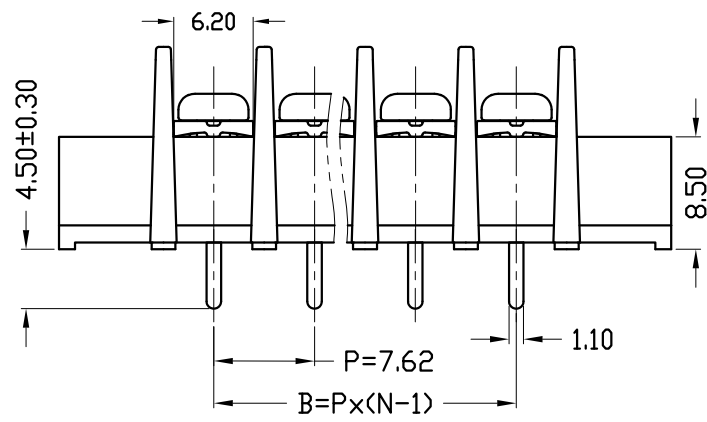
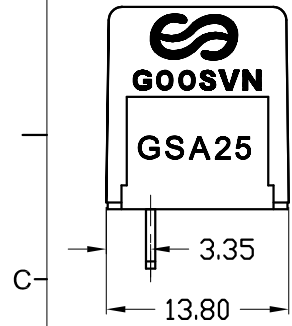


版次 (Version)	变更内容 (Rev. Content)	变更者 (Change Person)



技术参数 (Technical Data)		
项目 (Item)	UL	IEC
额定电气参数 (Rated Electrical Parameters)	300V/15A	320V/24A
压线范围 (Wire Range)	22~14AWG	2.5mm ²
工频耐压 (Frequency Voltage)	AC 2500V	
冲击耐压 (Rated Surge Voltage)	4000V	
绝缘阻抗 (Insulation Resistance)	DC500V 500M Ω above	
接触电阻 (Contact Resistance)	$\leq 8m\Omega$	
剥线长度 (Stripping Length)	6~7mm	
工作温度 (Temperature)	-40 $^{\circ}$ C ~ +105 $^{\circ}$ C	
材质和电镀 (Material and plating)		
绝缘材质 (Housing)	PA66 (UL94 V-0)	
触点材料 (Contact)	铜合金, 镀锡 (Copper alloy, Sn plated)	
螺丝 (Screws)	钢, 镀镍 (Steel, Nickel plating)	



产品命名编码:

(Product Number Code):

GSA25SW-7.62-XXP-1Y-00A (H)

产品型号 (Series No.)

客户需求
(Customer Request)

极数 (No. of poles)

塑体颜色 (Housing Color)

- 1: 单倍间距 (Single Pitch)
- 2: 双倍间距 (Double Pitch)

- 1: 绿色 (Green)
- 2: 蓝色 (Blue)
- 3: 黑色 (Black)
- 4: 灰色 (Grey)
- 5: 橙色 (Orange)
- 6: 红色 (Red)
- 7: 透明色 (Transparent)
- 8: 白色 (White)
- 9: 黄色 (Yellow)
- Y: 多种颜色 (Mixed Color)

P=7.62mm, N为孔位数 (N for hole digits), 有效位数为 (Significant Digits): 02P~22P

N	02P	03P	04P	05P	06P	07P	08P	09P	10P	11P	12P	13P
L	31.08	38.70	46.32	53.94	61.56	69.18	76.80	84.42	92.04	99.66	107.28	114.90
B	7.62	15.24	22.86	30.48	38.10	45.76	53.34	60.96	68.58	76.20	83.82	91.44
D	22.86	30.48	38.10	45.76	53.34	60.96	68.58	76.20	83.82	91.44	99.06	106.68
N	14P	15P	16P	17P	18P	19P	20P	21P	22P			
L	122.52	130.14	137.76	145.38	153.00	160.62	168.24	175.86	183.48			
B	99.06	106.68	114.30	121.92	129.54	137.16	144.78	152.40	160.02			
D	114.30	121.92	129.54	137.16	144.78	152.40	160.02	167.64	175.26			

宁波高胜电子有限公司 NINGBO GOOSVN ELECTRONIC CO.,LTD	公差范围 (Tolerance Range)	
	150~	± 1.50
型号 (Type): GSA25SW-7.62-XXP-1Y-00A (H)	60~150	± 1.00
	30~60	± 0.60
核准 (Approval):	6~30	± 0.40
	0~6	± 0.25
审核 (Audit):	角度 (Angle)	X $\pm 2^{\circ}$
	XX	$\pm 1^{\circ}$
设计 (Design):	单位 (Units): mm	页码 (Page): 1/1
	比例 (Scale): FULL	版次 (Version): T0